



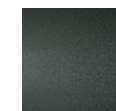
FLOYD-HI 2 SYSTEM

design Piero Lissoni

Modular sofa with backrest and armrests structure in multilayer poplar wood and double-panelled fir-wood, padded in differentiated density polyurethane foam, and covering in needle punched, resinated, non-woven polyester fiber, bonded onto a polyamide velveteen backing. Steel seat chassis, with epoxy powder coating, sprung with coated rubber elastic straps, padded in polyurethane foam. Backrest and armrest cushion in prewashed and sterilized goose down, stitched into separate compartments, with polyurethane foam insert.

Seat cushion in differentiated density polyurethane foam and Visco-soft insert, covered with acrylic fibre layers. Foot made of laser-cut steel sheet with epoxy powder coating gunmetal grey color. Floor support secured by black PVC feet. Fabric or leather upholstery, both fully removable by zippers and Velcro fastenings. Seat depth: 68–134cm.

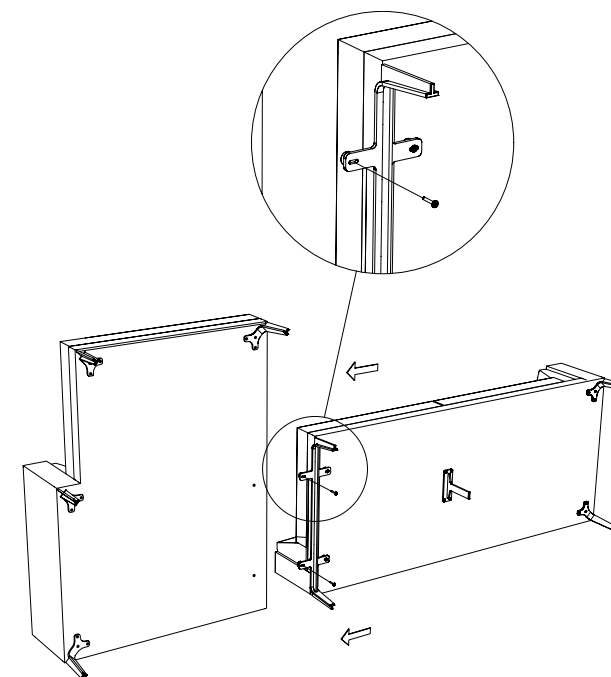
Feet



Steel with
Gunmetal Grey
Coating

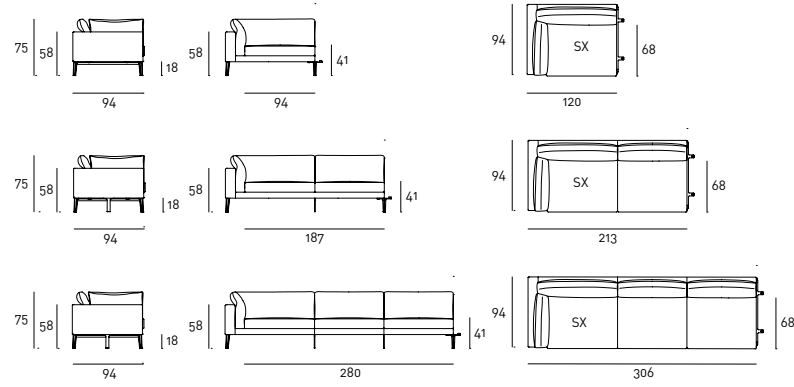
Notes

The various elements are joined together by brackets, as shown in the drawing below.

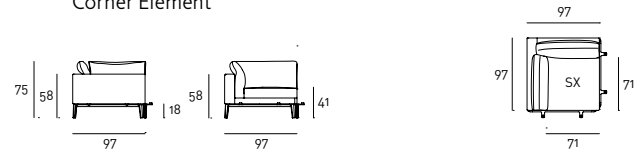


For compositions with different elements, please attach a general sketch to the order.

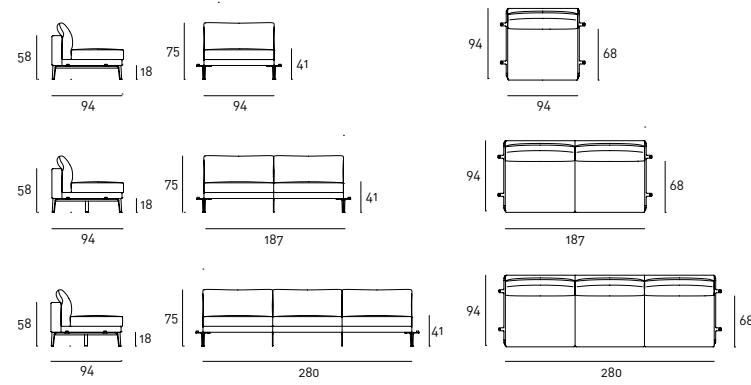
Technical Drawings
Terminal Element



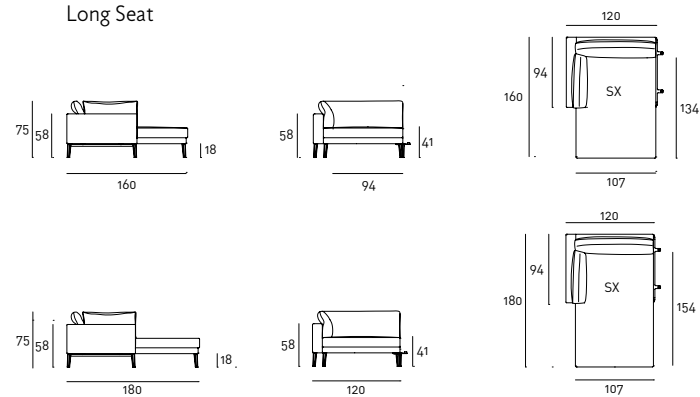
Corner Element



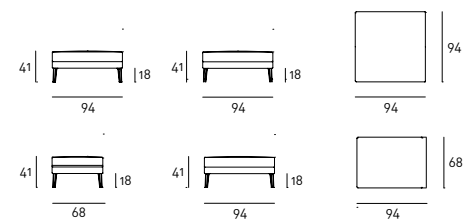
Central Element



Long Seat



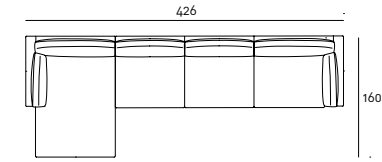
Footrest



Loose Cushion

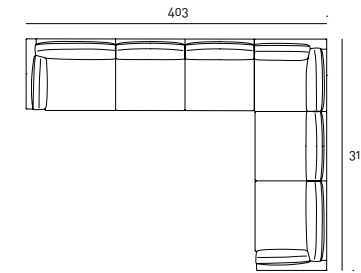


Examples of Composition
Composition 01



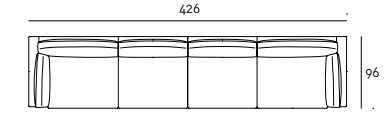
FH2S120160 SX
FH2T306094 DX

Composition 03



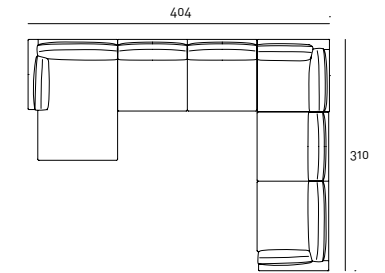
FH2T306094 SX
FH2A097097
FH2T213094 DX

Composition 02



FH2T213094 SX
FH2T213094 DX

Composition 04



FH2S120160 SX
FH2E187094
FH2A097097
FH2T213094 DX

The commercial codes refer to the elements chosen in the above-proposed compositions.



