



BOX

design Piero Lissoni

Sofa, Settee and armchair with one-piece frame in double-panelled poplar and pine. Support in cross-woven, coated rubber elastic straps. Shell padding in differentiated density polyurethane foam. Covering in needle punched, resinated, non-woven polyester fibre, bonded onto a polyamide velveteen backing and 100% polyether thermally bonded onto a polyamide velveteen backing. Seat and backrest cushion in prewashed and sterilized goose down, stitched into separate compartments with polyurethane foam insert or with preformed structure in differentiated density polyurethane foam, coated with acrylic fibre layers.

Chromed steel feet or, on request, with satin nickel finish, joined by a bracket.
Fabric or leather upholstery.
The fabric version only is fully removable by zippers and Velcro fastenings. The leather version is always without flounce and non-removable upholstery.
Seat depth: Armchair and Settee 47cm;
Sofa 57cm.

Bracket

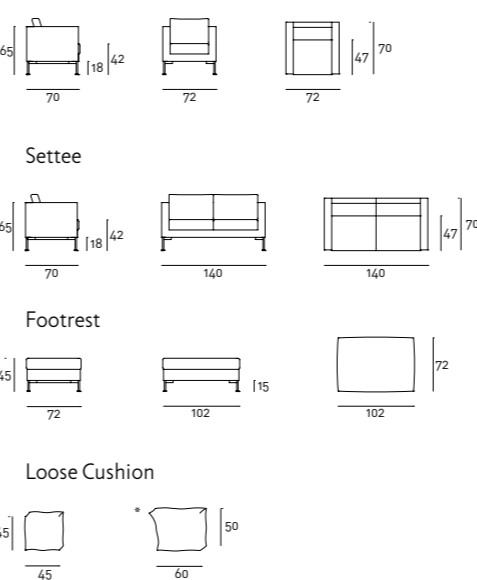


Steel with
Chromed-Plated
Finish

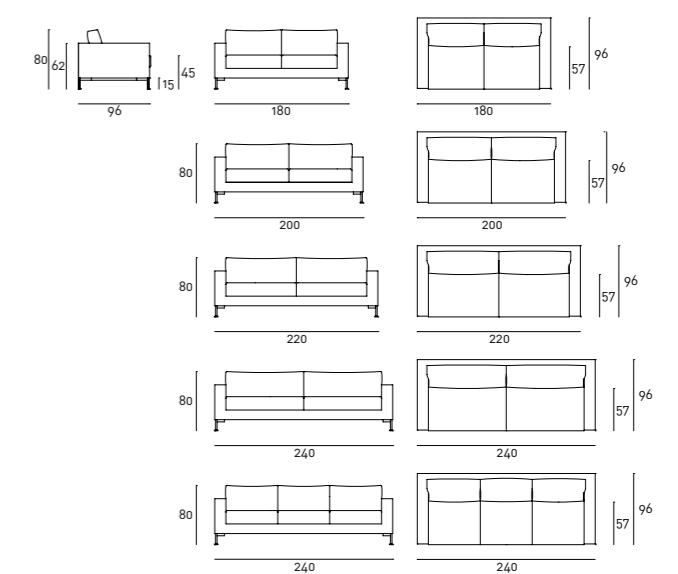


Steel with
Satin Nickel
Finish

Technical Drawings



Sofa



Notes

On request, sofas and armchair with fabric upholstery could be supplied with flounce. Standard flounce of 9cm. from the floor, when a different length is required, please specify it on the order, otherwise flounce will be always made at standard length.

The version with flounce is not available for leather and velvet upholstery.

* Armrest cushion with zip prepared for assembly with the backrest cushions.

